

Infinitesimal 0.3

Infinitesimal Series 2-Way Speaker

SPECIFICATIONS

ACOUSTIC & ELECTRICAL SPECIFICATIONS:

- Nominal Impedance: 4 ohms
- Power Rating: 15 to 100 watts RMS
- Crossover Frequencies: 3,000 Hz
- Frequency Response: 65Hz-32kHz +/-2dB

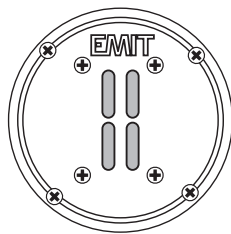
PRODUCTION HISTORY

- Introduced in 1982
- Discontinued 1986
- Original Retail Price: \$300.00/pair

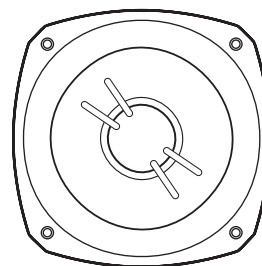
PHYSICAL SPECIFICATIONS:

- 1x - EMIT Tweeter (Electro Magnetic Induction Tweeter)
- 1x - 5" (12.7cm) Infinity/Watkins Dual-Drive Woofer
- Dimensions: 11"H x 6-1/4"W x 5-1/4"D
28x16x13cm
- Cabinet & Cosmetic Parts NLA
- Grille NLA
- Crossover NLA
- Logo NLA

TECHNICAL INFORMATION



TWEETER NLA
Substitute #902-3082
DIAPHRAGM #751-3722

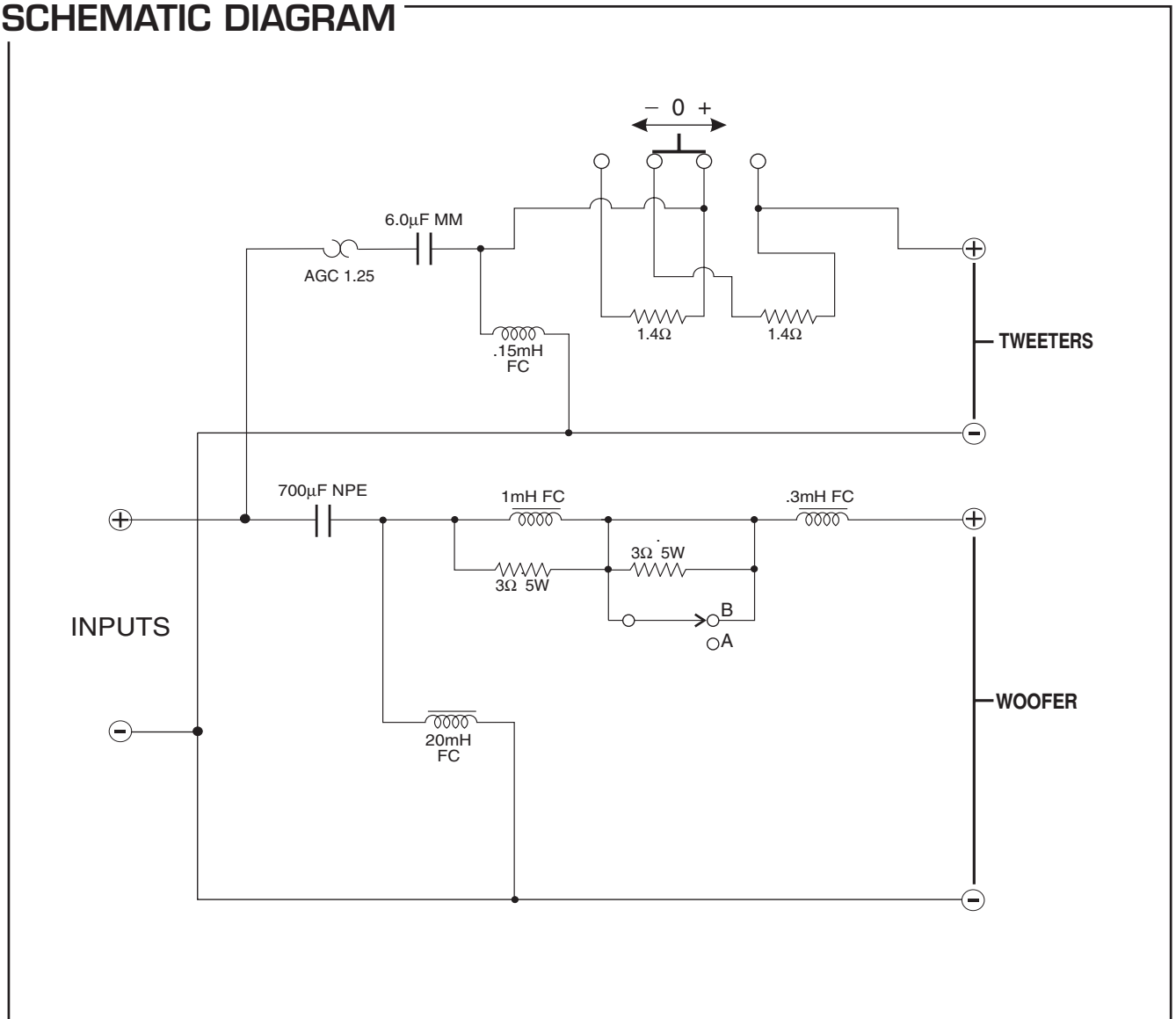


WOOFER NLA
Substitute #902-0470

See Schematic on second page

Infinitesimal 0.3 Infinitesimal Series 2-Way Speaker

SCHEMATIC DIAGRAM



Infinitesimal 3 Infinitesimal Series 2-Way Speaker